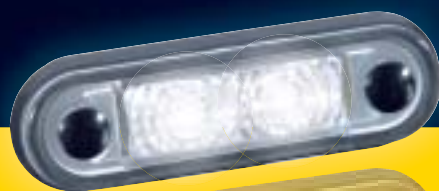


Interior lighting
Caravans and motor homes



Light up Life

Product catalogue 2010



Harmony between light, experience and convenience

Since good design puts the finishing touches to technology, we make attractive lights with the incomparable charm of perfect maturity.

HELLA has an enlightening basic principle. According to this, light and lights have to be matched as precisely as possible to people's respective environment.

This is particularly true in the case of caravans and motor homes. These mobile holiday homes are designed extremely functionally, allowing light to trigger a positive mood through the interaction of different brightness and shade, thus contributing to cosy hours in these homes on wheels. A further lighting aspect is not only important for well-being on board, it is also important for the overall attractiveness of the vehicle: the optimum combination of safety and design. It's a good thing manufacturers, designers and interior designers can rely on HELLA in these matters as well.



Highlights:

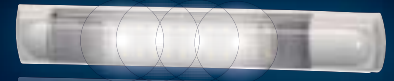
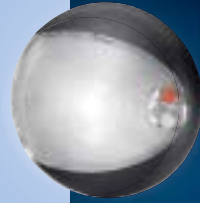
- *Increased road safety through innovations in lighting technology: e.g. Xenon and LED.*
- *Increased reliability in the production process thanks to OE quality and synergies from developments for the international automotive industry.*
- *Increased profit guarantee thanks to integrated electronics components.*
- *Increased quality reliability thanks to zero-fault quality management.*
- *Increased trend certainty thanks to the unusual range depth and modular systems.*



Ceiling lights

The difference between outdoors and indoors is not experienced as intensely anywhere as in a caravan.

What could provide a greater contrast, for example, than the infinite stretch of a lake landscape and the limited space in a caravan? This contrast does have its particularly charm of course. Yet when the night draws in, everyone on board is thankful for attractive ceiling lights that provide the room with both light and a homely atmosphere.



Reading lights

Even in the era of electronic “pathfinders”, it makes sense to have a look at the map every now and again, particularly at night, to avoid losing your bearings.

It's nice when you can rely on the front-seat passenger and the quality of the light source at such times. HELLA offers flexible LED reading lights as well as reading spotlights using classic bulb technology. Both versions guarantee excellent light output, making night-time map reading child's play.





Ambient lighting

Light influences mood. This is not new; but for life on board a caravan it is important, because this is where people usually spend the nicest days of the year.

Ambient LED lights contribute to making holidays a success. They are extremely adaptable, have an exclusive appearance and give the living area a cosy touch. Such lights allow holidaymakers to enjoy the late evening of a sunny day as well.



Orientation lights

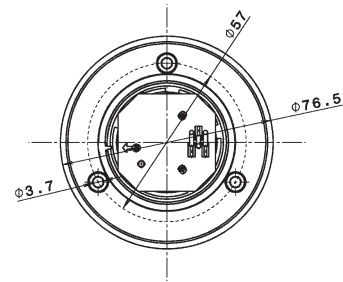
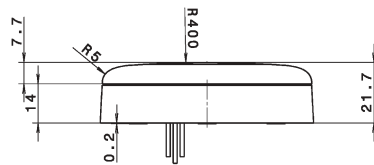
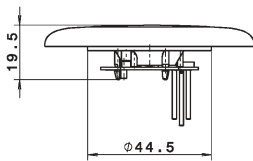
Experienced campers know that it is not always easy to find your way around a new location at night.

For such cases, and wherever comfort and safety are required, HELLA orientation lights provide a good service. As LED lights they provide the best possible close-range illumination – inside and out. In the bulb-type version, they provide a homogeneous warm light ideal for the cockpit as well as for emergency and night-time lighting.



LED-Spots

Surface-mounted / Flat flush-mounted



- LED lighting technology
- Flush-mount version with a depth of only 14 mm
- Surface-mount version with an overall height of only 22 mm
- With ambient CELIS® ring
- High-Power versions with double light output

Power-LED

Optimum light output thanks to the combination of Power-LED and precision reflector. Service life at least 50,000 hours.

Precision reflector

The light of the Power-LED is focused and makes illumination possible with extremely high light output despite low design height.

Clear-glass lens

Makes clean distribution within the light necessary, since reflector, LED and the optional CELIS® light guide ring are visible.

CELIS® light guide ring (optional)

This technology, which is used exclusively by Hella, stands out through the special design for indirect ambient lighting. It thus creates a relaxed atmosphere in the vehicle. The CELIS® light guide ring is available in the colours white, blue, red and orange.

Frame

Especially shatterproof and impact-resistant (plastic: ABS). Available in the following colours: white, black, silver, chrome and gold. In addition, metal frames are available for special application cases with a stainless glazed and polished finish.

Installation frame

The matching installation frame is included in the scope of supply of all lights.

Central control unit

A specially designed control unit is required for the connection of the interior light spots; it is included in the scope of supply of the set. There are two versions for different application cases.

Technical data	
Number of LEDs	1 (+1 optional for ambient CELIS® ring)
Illumination angle	35°
Alignment of the light source	fixed
Light source	white Standard LED or High-Power LED + optional ambient LED
Lens	clear
Installation	flush-mounted or surface-mounted (with installation frame), screw attachment
Voltage	5 VDC (connection only possible with control unit)
IP protection class	20
Electrical connection	via cables (2 or 3 x 0.75 mm ² ; length 500 mm)
Power consumption	Standard: 1.5 Watt (0.12 A at 12 V) / High-Power: 2.6 Watt (0.21 A at 12 V)
Illuminance at 1 m	45 lux (Standard), 105 lux (High-Power)

LED-Spot individual packaging

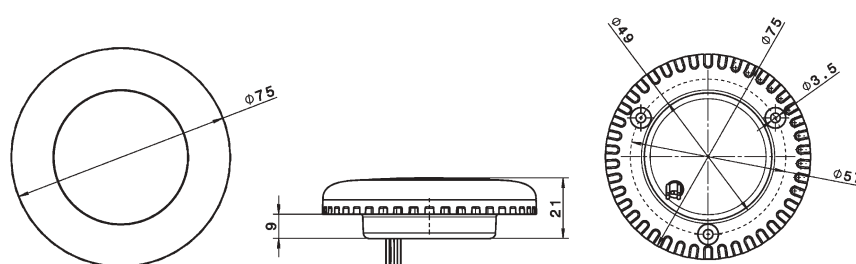
comprising 1 LED-Spot, 1 coloured light frame, 1 coloured installation frame, 1 sealing ring for installation, 1.5 W

Frame colour	Fixed, without CELIS®	CELIS® white	CELIS® blue	CELIS® red	CELIS® orange
white	2JA 344 199-001	2JA 344 199-101	2JA 344 199-201	2JA 344 199-301	2JA 344 199-351
black	2JA 344 199-011	2JA 344 199-111	2JA 344 199-211	2JA 344 199-311	2JA 344 199-361
silver	2JA 344 199-021	2JA 344 199-121	2JA 344 199-221	2JA 344 199-321	2JA 344 199-371

LED-Spot High-Power individual packaging

comprising 1 LED-Spot, 1 coloured light frame, 1 coloured installation frame, 1 sealing ring for installation, 2.6 W (double light output with cooling element)

Frame colour	Fixed, without CELIS®	CELIS® white	CELIS® blue	CELIS® red	CELIS® orange
white	2JA 344 599-001	2JA 344 599-101	2JA 344 599-201	2JA 344 599-301	2JA 344 599-351
black	2JA 344 599-011	2JA 344 599-111	2JA 344 599-211	2JA 344 599-311	2JA 344 599-361
silver	2JA 344 599-021	2JA 344 599-121	2JA 344 599-221	2JA 344 599-321	2JA 344 599-371





LED-Spots

Surface-mounted / Flat flush-mounted

LED-Spot set packaging

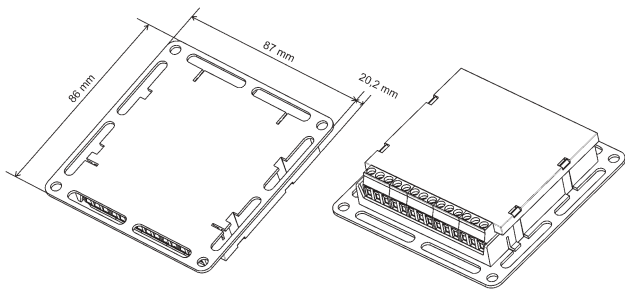
comprising 4 LED-Spots, 4 coloured light frames, 4 coloured installation frames, 4 sealing rings for installation, 1 central control unit (5XA 344 150-001)

Frame colour	Fixed, without CELIS®	CELIS® white	CELIS® blue	CELIS® red	CELIS® orange
white	2JA 344 190-001	2JA 344 190-101	2JA 344 190-201	2JA 344 190-301	2JA 344 190-351
black	2JA 344 190-011	2JA 344 190-111	2JA 344 190-211	2JA 344 190-311	2JA 344 190-361
silver	2JA 344 190-021	2JA 344 190-121	2JA 344 190-221	2JA 344 190-321	2JA 344 190-371

LED-Spot High-Power set packaging

comprising 4 LED-Spots, 4 coloured light frames, 4 coloured installation frames, 4 sealing rings for installation, 1 central control unit (5XA 344 150-001)

Frame colour	Fixed, without CELIS®	CELIS® white
white	2JA 344 590-001	2JA 344 590-101
black	2JA 344 590-011	2JA 344 590-111
silver	2JA 344 590-021	2JA 344 590-121



Central control unit

A control unit is required for the use of more than one spot

Technical data	
Voltage	Multi-voltage (9-32 VDC)
Number of circuits	max. 8 LED-Spots in 1 or 2 dimming circuits
Power consumption	1–16 W
IP protection class	30
Electrical connection	Screw terminals
Dimensions	97 x 97 x 21 mm
Control unit for 4 Standard or High-Power spots	5XA 344 150-001
Control unit for 8 Standard or 5 High-Power spots	5XA 344 150-011

Accessories	Part no.
Installation frame, chrome	9AB 344 192-061
Installation frame, gold	9AB 344 192-071

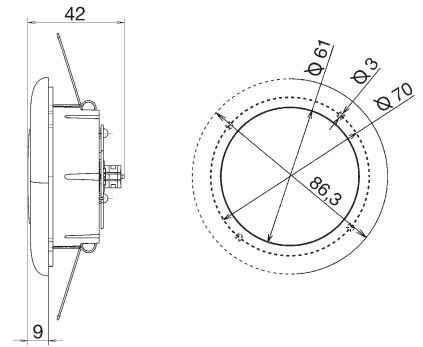
Finisher with sharp edges		
Colour	square	round
black	9AB 344 058-001	9AB 344 057-001
white	9AB 344 058-011	9AB 344 057-011
silver	9AB 344 058-021	9AB 344 057-021
chrome	9AB 344 058-061	9AB 344 057-061
gold	9AB 344 058-071	9AB 344 057-071

Colour	Finisher with rounded edges
chrome	9AB 344 045-061
gold	9AB 344 045-071
Frame, stainless polished	9AB 959 505-501
Frame, stainless glazed	9AB 959 505-561

Further finisher colours (e.g. real-wood look) available on request.



LED-Spots Standard, adjustable



- LED and bulb technology
- Fixed and adjustable
- With ambient CELIS® ring

Power-LED with dimming function

Optimum light output thanks to the combination of Power-LED and precision reflector. Service life at least 50,000 hours. The electronics has a dimming function.

Precision reflector

The light of the Power-LED is focused and enables illumination with an extremely high lighting performance.

Clear-glass lens

Makes clean distribution within the light necessary, since reflector, LED and the optional CELIS® light guide ring are visible.

CELIS® light guide ring

This technology, which is used exclusively by Hella, stands out through the special design for indirect ambient lighting. It thus creates a relaxed atmosphere in the vehicle.

Frame

Especially shatterproof and impact-resistant (plastic: ABS). Available in the following colours: white, black, silver, chrome and gold.

Technical data	
Number of LEDs	1 (+1 optional for ambient CELIS® ring)
Illumination angle	40° or 20°
Alignment of the light source	adjustable
Light source	warm-white Power-LED, + optional ambient LED
Lens	clear
Installation	Installation, either screw-type or spring-clamp fastening
Voltage	Multi-voltage (10-31 VDC)
IP protection class	3X
Electrical connection	via 4-pin AMP plug inc. contacts (included in the scope of supply)
Power consumption	2 Watt (0.16 A at 12 V)
Illuminance at 1 m	156 lux (20°), 65 lux (40°)

Frame colour	Illumination angle	
	20°	40°
white	2JA 343 790-401	2JA 343 790-301
black	2JA 343 790-411	2JA 343 790-311
silver	2JA 343 790-441	2JA 343 790-341

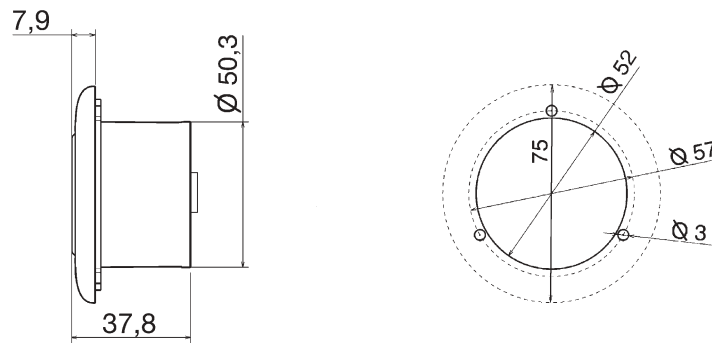
Frame colour	with white ambient CELIS® ring	
	20°	40°
white	2JA 343 790-601	2JA 343 790-701
black	2JA 343 790-611	2JA 343 790-711
silver	2JA 343 790-641	2JA 343 790-741

Ambient CELIS® light guide ring (e.g. blue, red) on request.

Accessories	Part no.
Frame, chrome	9AB 343 792-061
Frame, gold	9AB 343 792-071



LED-Spots Standard, fix



Technical data	
Number of LEDs	1 (+1 optional for ambient CELIS® ring)
Illumination angle	40° or 20°
Alignment of the light source	fixed
Light source	warm-white Power-LED + optional ambient LED
Lens	clear
Installation	Installation, either screw-type or spring-clamp fastening
Voltage	Multi-voltage (10-31 VDC)
IP protection class	3X
Electrical connection	via 4-pin AMP plug inc. contacts (included in the scope of supply)
Power consumption	2 Watt (0.16 A at 12 V)
Illuminance at 1 m	156 lux (20°), 65 lux (40°)

Frame colour	Illumination angle	
	20°	40°
white	2JA 344 040-741	2JA 344 040-701
black	2JA 344 040-751	2JA 344 040-711
silver	2JA 344 040-761	2JA 344 040-721

Accessories	polished	glazed
Metal frame, stainless	9AB 959 505-501	9AB 959 505-561

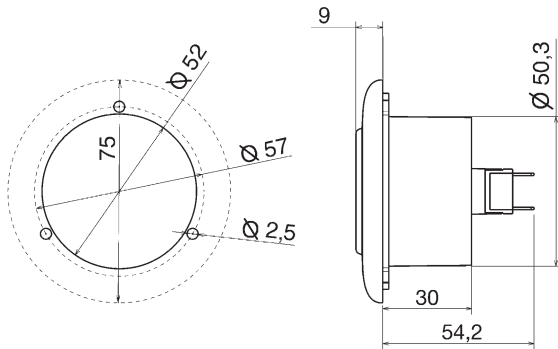
Further finisher colours (e.g. real-wood look) or ambient CELIS® light guide ring (e.g. blue, red) on request.

Accessories		
Finisher with sharp edges		
Colour	square	round
black	9AB 344 058-001	9AB 344 057-001
white	9AB 344 058-011	9AB 344 057-011
silver	9AB 344 058-021	9AB 344 057-021
chrome	9AB 344 058-061	9AB 344 057-061
gold	9AB 344 058-071	9AB 344 057-071

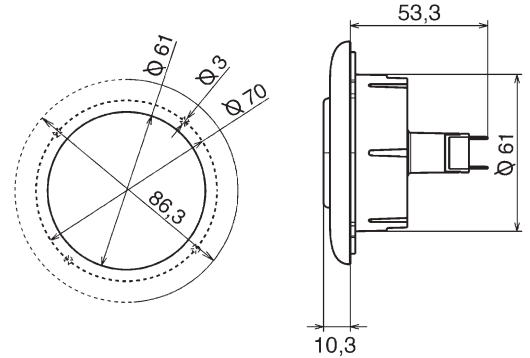
Colour	Finisher with rounded edges
chrome	9AB 344 045-061
gold	9AB 344 045-071



Bulb-Spots, fixed and adjustable



Flush-mounted, fixed



Flush-mounted, adjustable

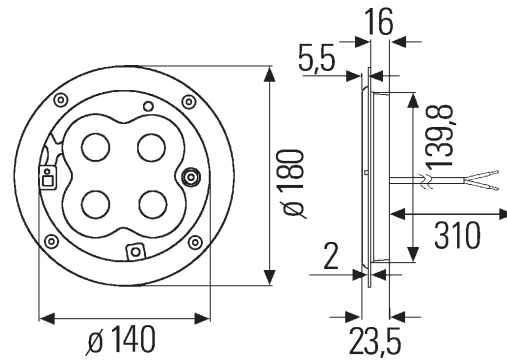
Technical data	
Illumination angle	35°
Alignment of the light source	fixed or adjustable
Light source	Bulb W5W 12V
Lens	clear
Installation	Installation, either screw-type or spring-clamp fastening
Voltage	12V or 24V (depending on the bulb used)
IP protection class	3X
Electrical connection	via 6.3 mm male blade connector
Power consumption	5 Watt (0.41 A at 12 V)
Illuminance at 1 m	145 lux

Frame colour	fixed	adjustable
white	2JA 343 985-001	2JA 343 795-001
black	2JA 343 985-011	2JA 343 795-011
silver	2JA 343 985-041	2JA 343 795-021

Spare parts	Part no.
Bulb 12V W5W	8GP 003 594-121

Accessories	Part no.
Bulb 24V W3W	8GP 003 594-241
Bulb 24V W5W	8GP 003 594-251

Accessories		
Finisher colour	fixed	adjustable
chrome	9AB 344 045-061	9AB 343 792-061
gold	9AB 344 045-071	9AB 343 792-071
stainless polished	9AB 959 505-501	
stainless glazed	9AB 959 505-561	



- LED lighting technology
- IP protective rating 6K9K; ADR/GGVS tested
- Ideal for use as a ceiling light in refrigerated trucks, ambulances, driver cabs and storage spaces

4 Power-LEDs

Optimum light output thanks to the use of 4 Power-LEDs with a service life of at least 50,000 hours.

Clear Perspex lighting lens (PMMA)

Housing

Especially shatterproof and impact-resistant (plastic: ABS) as well as resistant to UV rays. Colour: grey

Installation

Screw attachment as flush-mount variant. An installation frame also allows use as a surface-mount variant.

Protection class IP 6K9K

Absolutely waterproof and thus ideal for use in cold and humid environments.

Extremely low design height

Especially suitable for flat installation conditions (16 mm), since the heat of the LEDs is radiated to the interior.

Multi-voltage

Multi-voltage circuits keep the light output constant over a voltage range of 9 to 31 Volts. This allows the same Hella LED light to be used for both 12 and 24 Volt applications. Multi-voltage also compensates for voltage fluctuations which arise through the use of long cables, plug-connections and within the vehicle electric system. In addition, Hella multi-voltage circuits are protected from inverse polarity and voltage peaks, enabling them to provide reliable safety even at low battery voltages.

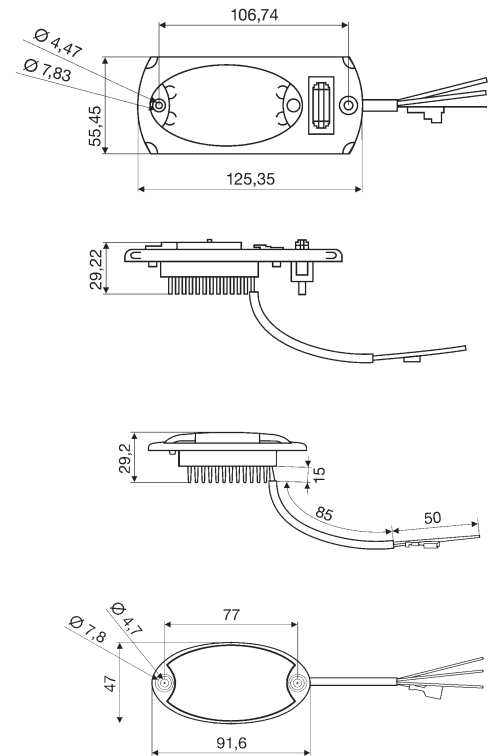
Technical data	
Number of LEDs	4
Illumination angle	44°
Alignment of the light source	fixed
Light source	cold or warm white Power-LEDs
Lens	clear
Installation	flush-mounted or surface-mounted (with installation frame), screw attachment
Voltage	Multi-voltage (9-31 VDC)
IP protection class	6K9K
Electrical connection	via cables (2 x 0.75 mm ² ; length 310 mm)
Power consumption	6 Watt (0.5 A at 12 V)
Illuminance at 1 m	180 lux
LED colour	Part no.
cold white	2JB 343 227-001
warm white	2JB 343 227-041
Accessories	Part no.
Installation frame, grey	9XD 344 118-101



Mini OvalLED



- Optimum light yield due to the use of 5 LEDs with an operating time of at least 50,000 hours.
- Ambient lighting with separate switching of a red (or blue) LED
- Especially shatterproof black housing, shock-resistant and UV resistant
- Version without switch and frame is completely watertight and is therefore perfect for use in cold and moist environments
- Small overall height, fitted using screws as flush-mounted version
- LED technology, red or blue ambient lighting



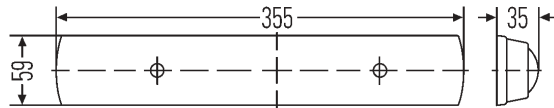
Technical data	
Number of LEDs	4 white and one ambient LED
Alignment of the light source	fixed
Light source	Standard or Power-LEDs
Lens	clear
Installation	Flush-mounted, with or without frame and switch, screw attachment
Voltage	12 V or 24 V
IP protection class	6K9K (without frame/switch), 40 (with frame/switch)
Electrical connection	via cables (4 x 0.75 mm ² ; length 125 mm)
Power consumption	Standard: 1.7 Watt (0.14 A at 12 V) Power: 3.6 Watt (0.30 A at 12 V)
Illuminance at 1 m	14.5 lux (Standard), 54 lux (Power)

LED equipment	Rated voltage	ambient lighting	without frame and switch	with frame and switch
4 white Power-LEDs	12 V	red	2JA 343 570-011	2JA 343 570-051
4 white Power-LEDs	24 V	red	2JA 343 570-001	2JA 343 570-041
4 white Power-LEDs	12 V	blue	2JA 343 570-117	2JA 343 570-157
4 white Power-LEDs	24 V	blue	-	2JA 343 570-141
4 white Standard LEDs	12 V	red	2JA 343 570-031	2JA 343 570-071
4 white Standard LEDs	24 V	red	2JA 343 570-021	2JA 343 570-061

Other versions are available on request.



Flush-mounted LED lights



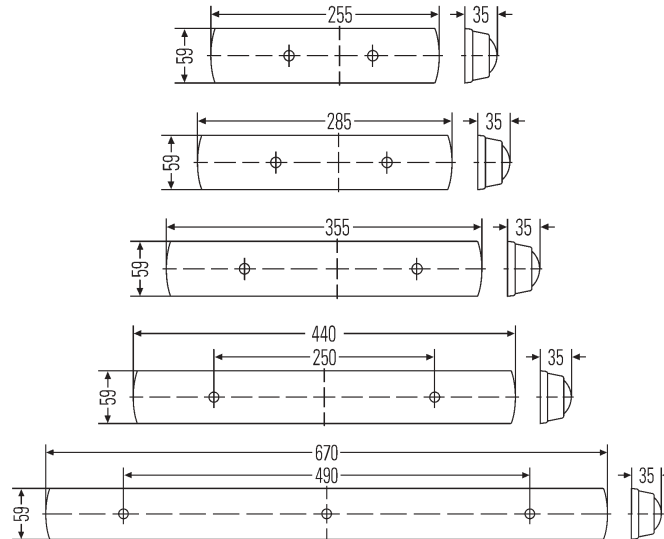
- LED lighting technology
- With 12 or 24 LEDs and switch
- Surface-mount version with an overall height of 35 mm
- Integrated on/off switch
- Lens and frame made of shock and impact-resistant material
- Optimum thermal management thanks to integration of the PCB in the LED module
- Innovative lighting technology with high-power LEDs

Technical data		
Number of LEDs	12	24
Rated power	3.5 W	7 W
Power consumption of bulb	ca. 0.30 A at 12 V ca. 0.15 A at 24 V	ca. 0.58 A at 12 V ca. 0.29 A at 24 V
Illuminance	ca. 100 lux at 1 m	ca. 200 lux at 1 m
Voltage:	Multi-voltage 10 to 30 V	
Light colour	4000 K (neutral white)	
Temperature range	-40 °C to + 60 °C	
Part no.	2JA 007 373-151	2JA 007 373-161

Note:
The hole pattern of the LED lights is identical to that of the transistor ceiling lights 2JA 007 373-061 (12 V) and -071 (24 V). This means these lights can be exchanged 1:1. However, the compact fluorescent tubes cannot be replaced by LED modules on account of the integrated multi-voltage triggering system in the lights.



Transistor ceiling lights



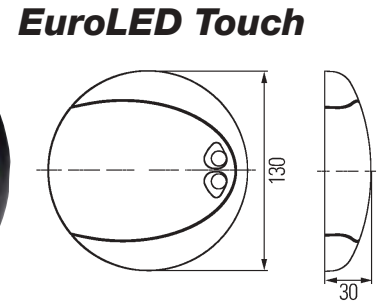
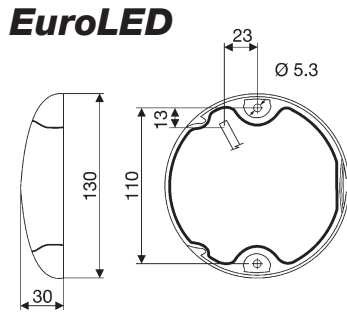
Technical data	
Light source	Fluorescent lamp
Alignment of the light source	fixed
Lens	clear
Switch	On/off switch integrated
Installation	Surface-mounted
Voltage	12 V
IP protection class	43
Electrical connection	via cables with tin-plated cable ends, completely interference suppressed

Length	Rated power	Part no.
255 mm	7 W	2JA 007 373-001
285 mm	9 W	2JA 007 373-031
355 mm	11 W	2JA 007 373-061
440 mm	8 W	2JA 007 372-001
670 mm	13 W	2JA 007 372-041

Spare parts	Light colour	for lamp length	Part no.
Fluorescent lamp, 7 W	white	255 mm	8GS 861 955-001
Fluorescent lamp, 9 W	white	285 mm	8GS 861 955-011
Fluorescent lamp, 11 W	white	355 mm	8GS 861 955-021
Fluorescent lamp, 8 W	warm-white	440 mm	8GS 002 296-101
Fluorescent lamp, 8 W	white	440 mm	8GS 002 296-111
Fluorescent lamp, 13 W	white	670 mm	8GS 861 953-011



LED ceiling lights



- Waterproof and impact-resistant
- Low energy consumption
- Long service life

Technical data	
Material description	Impact-resistant plastic, UV-resistant
Light source	High-power LED
Alignment of the light source	fixed
Lens	white
Installation	Surface-mounted
Electrical connection	via connection cable 2.5 m long
Voltage	Multi-voltage 9 - 33 VDC
IP protection class	6K6 6K7
Power consumption	White: 4 Watt (0.33 A at 12 V) Red: < 2.5 Watt (0.20 A at 12 V)

EuroLED without touch switch

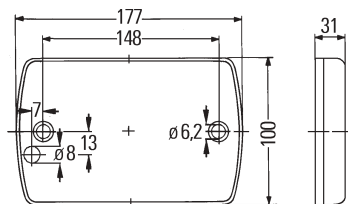
	Part no.
Black housing	2JA 959 820-501

EuroLED Touch with on/off and dimmer touch switch

Possible to switch from white to red

	Part no.
Black housing	2JA 959 950-031
White housing	2JA 959 950-041

DuraLed



- Waterproof and impact-resistant
- Low energy consumption
- Long service life

Technical data	
Material description	Impact-resistant plastic, UV-resistant
Light source	36 LEDs
Alignment of the light source	fixed
Lens	clear
Housing	white
Installation	Surface-mounted
Electrical connection	via connection cable 2.5 m long
Voltage	Multi-voltage 9 - 33 VDC
IP protection class	6K6 6K7
Power consumption	9 Watt (0.75 A at 12 V)
Part no.	2JA 959 037-511



Ambient LED-Spots



- LED lighting technology
- Installation possible with and without frame

Clear-glass lens

Requires clean processing within the light, since the LEDs are visible.

Frame

One white, one grey and one black frame made of particularly shatterproof and impact-resistant plastic are included in the scope of supply.

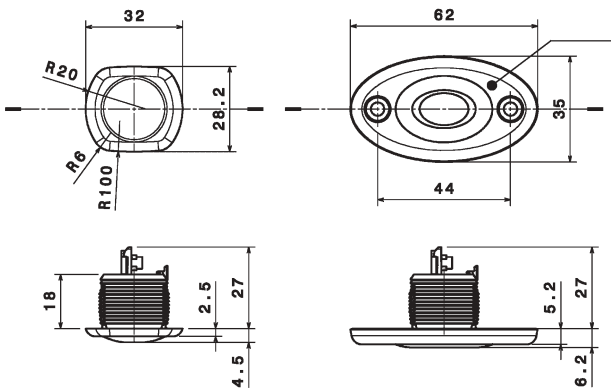
LED lighting technology

Extremely low power consumption: max. 0.3 Watt with 12 V. No light source replacement, no maintenance and very long service life (up to 50,000 h).

Installation

The reading light is installed using an attachment element or alternatively with frame.

Modern oval design



Technical data

Number of LEDs	1
Alignment of the light source	fixed
Light source	Standard-LED
Lens	clear
Installation	Flush-mounted, with or without frame, screw attachment or using attachment element
Voltage	12 V
IP protection class	20
Electrical connection	via AMP plug housing
Power consumption	0.3 Watt (0.02 A at 12 V)
Illuminance at 1 m	5 lux

LED-light colour	Frame colour	Rated voltage 12 V
red	white, grey, black	2JA 344 170-001
blue	white, grey, black	2JA 344 170-011
white	white, grey, black	2JA 344 170-021
yellow	white, grey, black	2JA 344 170-031
white	white, silver, black	2JA 344 170-201



Flexible LED reading lamps



- LED lighting technology
- Available with 150 mm and 400 mm arm length
- With and without plug for cigarette lighter / power socket

Power-LED: Optimum light yield due to the use of Power-LED with an operating time of at least 50,000 hours.

Lens with pattern: This focuses the light and ensures homogenous light distribution. In addition, it generates slim, spot-like illumination, excellently suited for map reading.

Finisher: Especially shatterproof and impact-resistant (plastic: ABS) as well as resistant to UV rays. Available in the following colours: White, black and silver.

Switch: For additional operating comfort, an on/off switch is directly integrated in the light head and sealed by a rubber cap.

Light arm: Flexible and able to be swivelled to illuminate different directions and areas inside the vehicle.

Installation: Permanent screw-type installation as a surface-mount version or alternatively with plug for connection to cigarette lighter and power sockets.

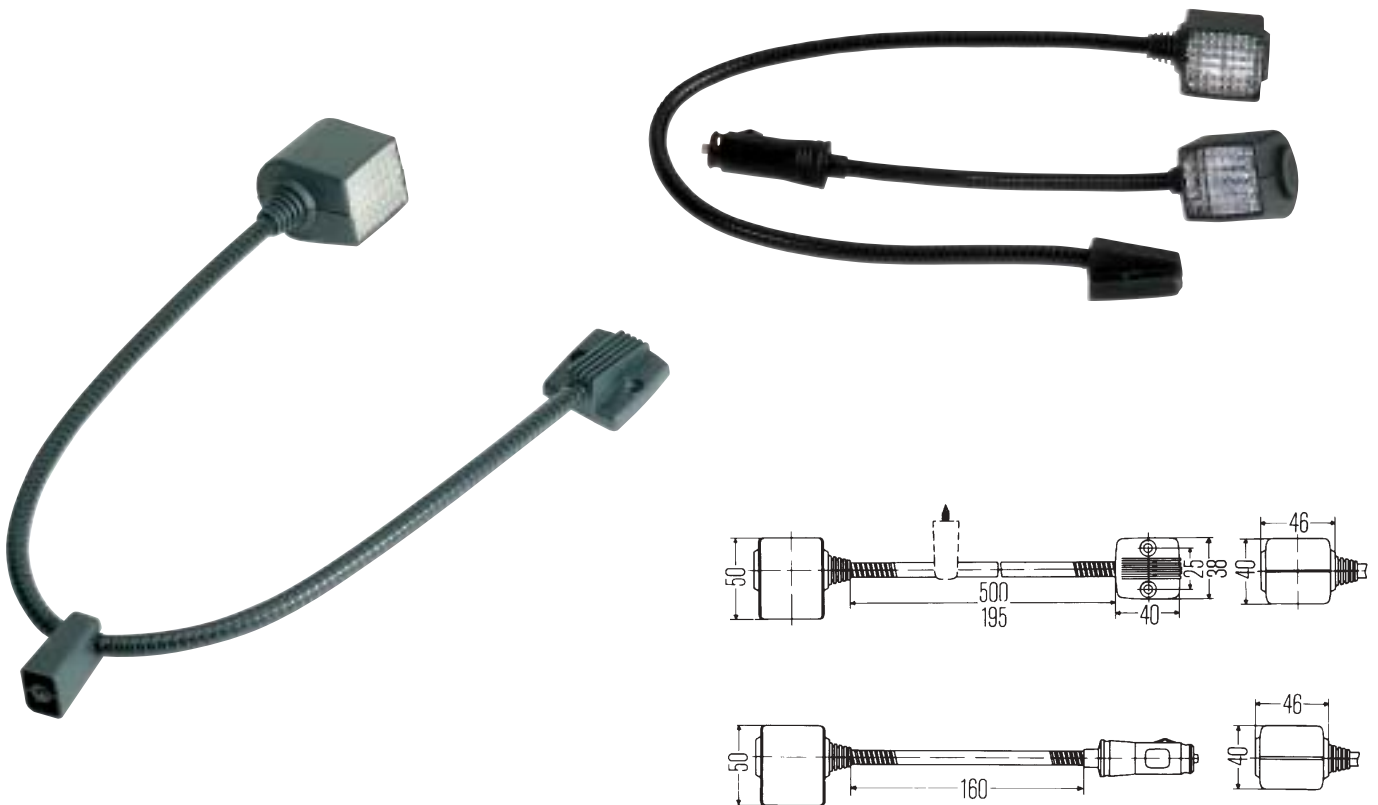
Multi-voltage: Multi-voltage circuits keep the light output constant over a voltage range of 9 to 31 Volts. This makes it possible to use the same Hella LED reading light for both 12 and 24 Volt applications. Multi-voltage also compensates for voltage fluctuations which arise through the use of long cables, plug-connections and within the vehicle electric system. In addition, Hella multi-voltage circuits are protected from inverse polarity and voltage peaks, enabling them to provide reliable safety even at low battery voltages.

Technical data	
Number of LEDs	1
Illumination angle	38°
Alignment of the light source	flexible thanks to light arm
Light source	LED
Lens	with patterned lens
Installation	Surface-mounted, screw attachment or using plug for cigarette lighter
Voltage	Multi-voltage (9-31 VDC)
IP protection class	53
Electrical connection	via cables (2 x 0.75 mm ² ; length 150 mm) or cigarette lighter
Power consumption	2.5 Watt (0.20 A at 12 V)
Illuminance at 0.7 m	110 lux

Colour of the cap	LED-light colour	Arm length 150 mm	Arm length 150 mm with plug for cigarette lighter	Arm length 400 mm
white	white	2JA 343 720-011	2JA 343 720-071	2JA 343 720-111
black	white	2JA 343 720-021	2JA 343 720-081	2JA 343 720-121
silver	white	2JA 343 720-291	2JA 343 720-091	2JA 343 720-191



Flexible Xenon reading lights



Technical data

Alignment of the light source	flexible thanks to light arm
Light source	Xenon bulb
Lens	clear
Installation	Surface-mounted, screw attachment or using plug for cigarette lighter
Voltage	12 V
Electrical connection	via cables (2 x 0.75 mm ² ; length 100 mm) or cigarette lighter plug
Power consumption	6 Watt (0.50 A at 12 V)

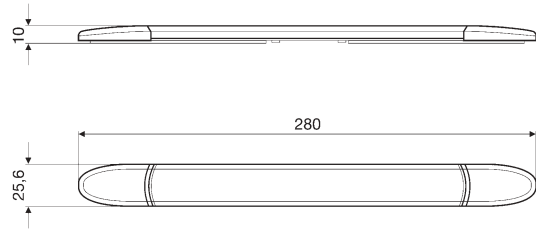
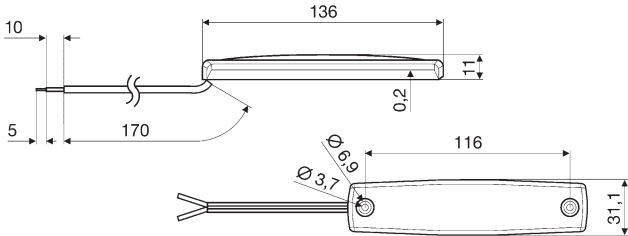
Arm length	Part no.
500 mm	2AB 004 532-001
195 mm	2AB 004 532-011
160 mm, for cigarette lighter	2AB 004 532-021

Spare parts	Part no.
Xenon bulb 12V	8GP 007 676-121
Bracket	9XB 136 202-005

Accessories	Part no.
Lens (red)	9EL 128 922-011



Flat LED surface-mounted lights



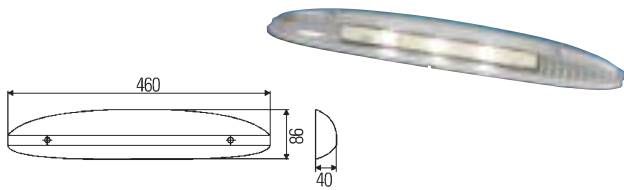
- LED lighting technology
- Extremely flat design (max. 11 mm)
- IP protection class 6K9K
- Ideal for the illumination of steps, footwells and storage compartments as well as in cold and moist environments

Technical data	
Number of LEDs	5
Illumination angle	34°
Alignment of the light source	fixed
Light source	LED
Lens	clear
Installation	Surface-mounted, screw attachment
Voltage	12 V
IP protection class	6K9K
Electrical connection	via cables (2 x 0.75 mm ² ; length 170 mm)
Power consumption	2.8 Watt (0.23 A at 12 V)
Illuminance at 1 m	7.2 lux
Part no.	2JA 343 660-101

Technical data	
Number of LEDs	10
LED-light colour	white or blue
Illumination angle	38°
Alignment of the light source	fixed
Light source	LED
Lens	clear
Installation	Surface-mounted, screw attachment
Voltage	12 V
IP protection class	6K9K
Electrical connection	via cables (2 x 0.75 mm ² ; length 1 m)
Power consumption	1.8 Watt (0.15 A at 12 V)
Illuminance at 1 m	32 lux
LEDs white, part no.:	2JA 343 606-001
LEDs blue, part no.:	2JA 343 606-201



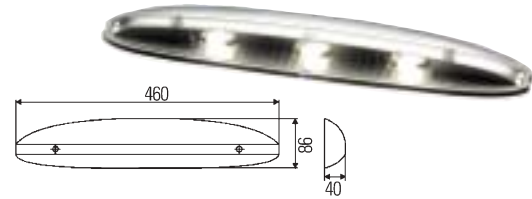
LED orientation lights



LED entry and awning light

for the optimum illumination of the step area, door entry and awning, 4 times the light intensity compared with the bulb version

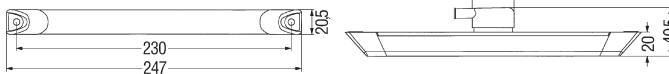
Technical data	
Light source	3 High-Power LEDs
Lens	clear
Installation	Surface-mounted, screw attachment
Voltage	Multi-voltage 9-31 V
Electrical connection	via 6.3 mm male blade connector in 2-pin connector housing (cable length: 200 mm)
Power consumption	4.5 Watt (0.37 A at 12 V)
Illuminance at 1 m	107 lux
Part no.	2XT 008 929-011



LED entry and awning light

for the optimum illumination of the step area, door entry and awning

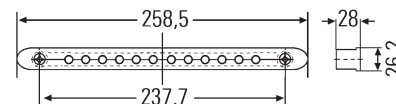
Technical data	
Light source	3 bulbs C5W
Lens	clear
Installation	Surface-mounted, screw attachment
Voltage	12 V
Electrical connection	via 2.8 mm male blade connector
Power consumption	15 Watt (1.25 A at 12 V)
Illuminance at 1 m	23 lux
Part no.	2XT 008 929-001
Spare parts	
Bulb 12V C5W	8GM 002 092-121



LED step light, surface-mounted

with CELIS® light guide technology

Technical data	
Light source	2 white LEDs
Lens	clear
Housing colour	grey
Installation	Surface-mounted, screw attachment
Voltage	12 V
Electrical connection	via 2.8 mm male blade connector
Power consumption	0.7 Watt (0.05 A at 12 V)
Part no.	2JA 008 078-031



LED step light, flush-mounted

Waterproof, impact-resistant, durable and energy-efficient

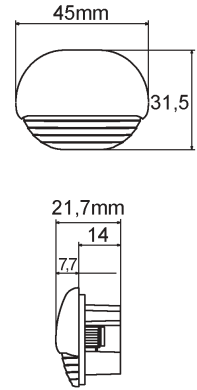
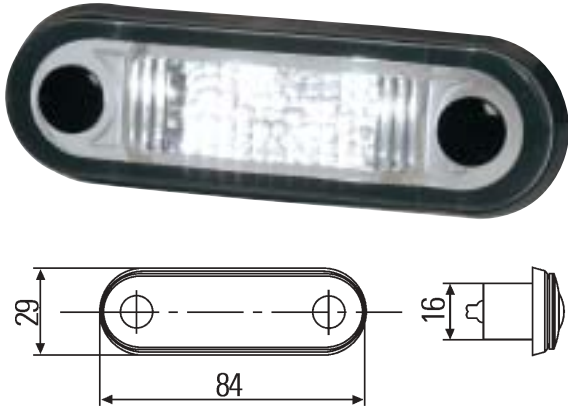
Technical data	
Light source	10 white LEDs
Lens	white
Housing colour	black
Installation	Flush-mounted, screw attachment
Voltage	12 V
Electrical connection	via connection cable 250 mm long
Power consumption	2 Watt (0.16 A at 12 V)
Part no.	2JA 959 073-001



LED orientation lights

Compact LED step lights, flush-mounted

Waterproof, impact-resistant, durable and energy-efficient



Technical data	
Number of LEDs	2
LED-light colour	white or blue
Lens	clear
Housing colour	black
Installation	Flush-mounted, screw attachment
Voltage	Multi-voltage 10-33 V
Electrical connection	via connection cable 120 mm long
Power consumption	0.5 Watt (0.04 A at 12 V)

Technical data	
Number of LEDs	1
LED-light colour	white or blue
Lens	clear
Housing colour and cap	white
Installation	Flush-mounted, screw attachment
Voltage	Multi-voltage 8-28 V
Electrical connection	via connection cable 100 mm long
Power consumption	0.5 Watt (0.04 A at 12 V)

LED-light colour	Part no.
white	2XT 959 510-427
blue	2XT 959 510-657

LED-light colour	Part no.
white	2JA 998 560-017
blue	2JA 998 560-057

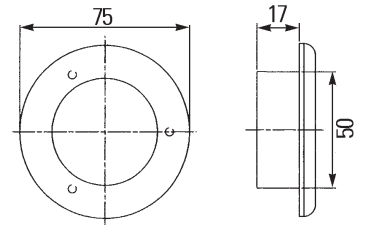
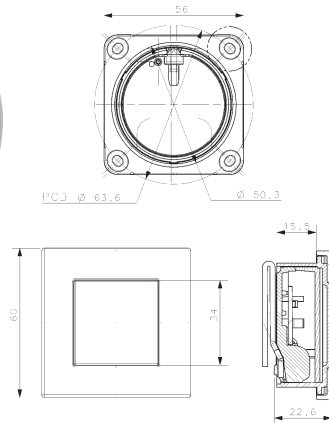


also with polished steel frame:

LED-light colour	Part no.
white	2XT 959 680-812
blue	2XT 959 680-612



LED orientation lights



LED orientation light, square

Waterproof, impact-resistant, durable and energy-efficient

Technical data	
Number of LEDs	4
LED-light colour	white
Lens	white
Housing colour	white
Installation	Flush-mounted, screw attachment
Voltage	12 V
Electrical connection	via connection cable 120 mm long
Power consumption	0.5 Watt (0.04 A at 12 V)

Version	Part no.
Standard	2XT 980 580-052
High-Power (increased light output)	2JA 980 596-002

LED orientation light, round

Waterproof, impact-resistant, durable and energy-efficient

Technical data	
Number of LEDs	4
LED-light colour	white or blue
Lens	white
Housing colour	white
Installation	Flush-mounted, screw attachment
Voltage	Multi-voltage 10-33 V
Electrical connection	via connection cable 120 mm long
Power consumption	0.5 Watt (0.04 A at 12 V)

LED-light colour	Part no.
white	2XT 959 500-677
blue	2XT 959 500-207

Accessories	Part no.
Metal frame, stainless polished	9AB 959 505-501
Metal frame, stainless, satin finished	9AB 959 505-561



© Hella KGaA Hueck & Co. Lippstadt 922 999 129-762 TT/08.10/1.1 Printed in Germany

Hella KGaA Hueck & Co.
Rixbecker Straße 75
59552 Lippstadt, Germany

Tel.: +49 2941 38-0
Fax: +49 2941 38-7133
Internet: www.hella.com

